

Barford Aged Brass Manual Valve Set (Angled Manual)

MANUAL



Available Finishes

Aged Brass	
<p>Aged Brass finish is un-lacquered and designed to look old. It is hand finished and appearance may vary from one valve to the next.</p>	

Connection size

Valve to Radiators	1/2" BSPT
Valve to Pipe	15 mm Compression or 3/4" BSP

Allen Key size

To adjust Lock-Shield	N/A
To fit Coupler to Radiator	12 mm

Allen Keys are not included

Pressure Ratings

Max Test Pressure	12 Bar
Max Operating Pressure	10 Bar
Max Differential Pressure	1 Bar
Pressure Drop Value (Kvs)	1.6 m ³ /h

Kvs value is the metric measure for the flow of a fully opened valve. It is defined as: The volume flow in cubic metres per hour of water at a temperature of between 5° and 40° Celsius with a pressure drop across the valve of 1 bar.

Flow Ratings

Normal Flow Rate	0.23 m ³ /h
Max Flow Rate	0.32 m ³ /h

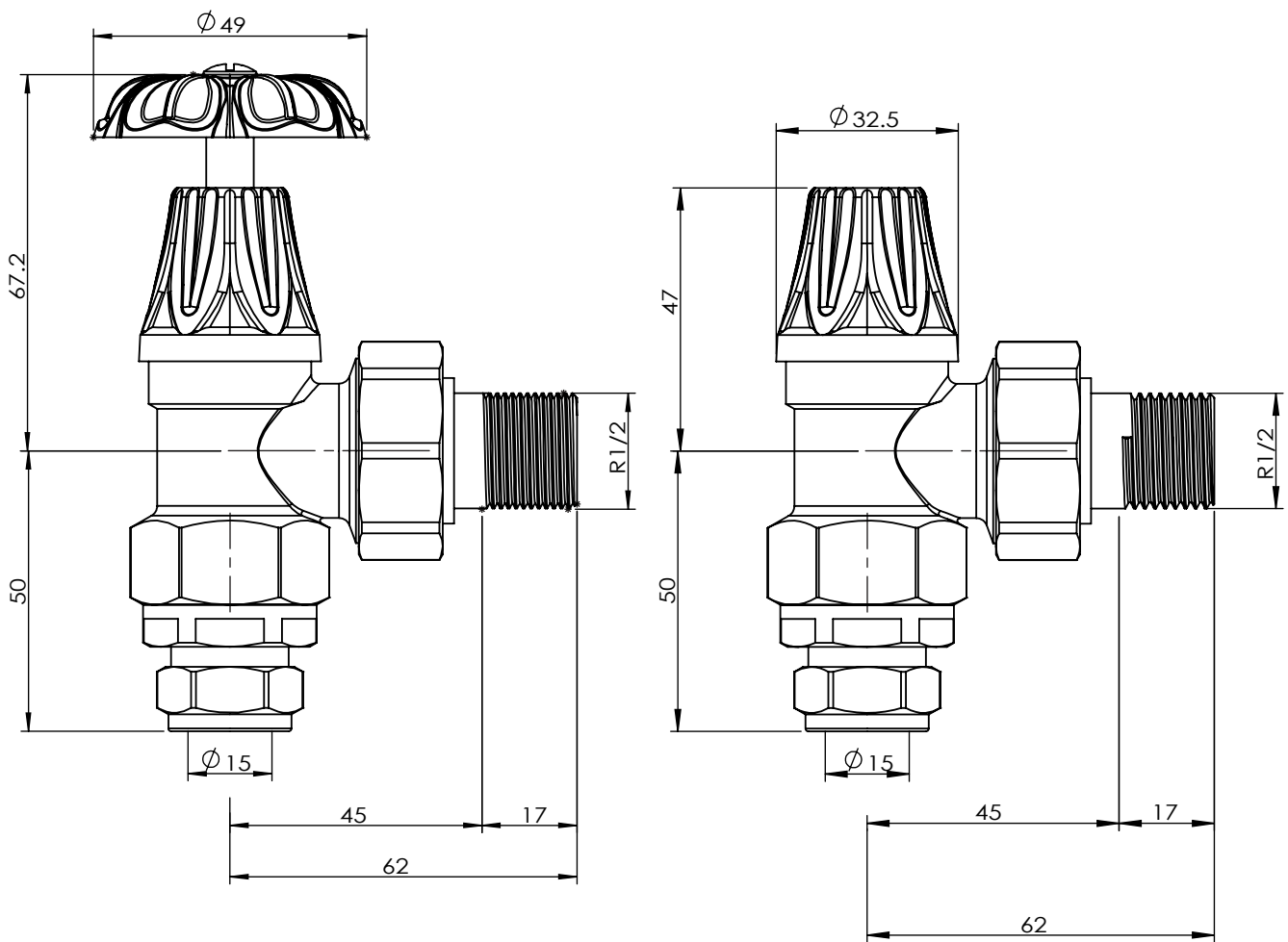
Temperature Ratings

Max Test Temperature	120°C
Max Operating Temperature	110°C
Temperature Adjustment Range	N/A

Disclaimer

All dimensions are approximate and for roughing in only.
 We recommend no work be carried out until the goods arrive.
 We can take no responsibility for errors in information supplied.

Barford Aged Brass Manual Valve Set (Angled Manual)



Manual Valve Installation

Your radiator valves should only be installed by a competent and suitably qualified installer. Your warranty may be void if installation is not carried out by a suitably qualified heating engineer.

All plumbing joints should be sealed using appropriate tools, methods and materials. Never over tighten any joint or coupling.

Ensure care is taken to protect the decorative finish on the valves during installation. We would recommend applying protection (for example, at least two layers of paper between the faces of the nuts and any spanner) to ensure the surfaces are not marked.